



Omni-ID® Dura 600

Omni-ID Dura 600 is a small form factor RFID tag, with extreme impact resistance, and superior on-metal performance. The combination of its size, flexible durable case design and foam adhesive makes it ideal for heavy industrial applications where curved or contoured assets are in use including pipes and valves.

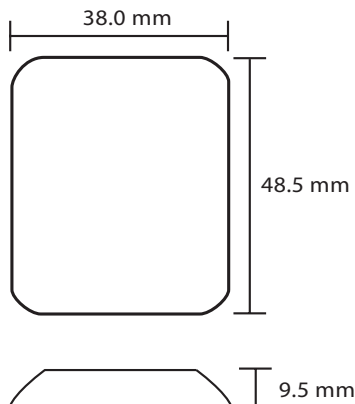
Building Intelligent Supply Chains

With its high performance on metal and highly impact resistant thermoplastic elastomer casing, Omni-ID Dura 600 is ideally suited to industrial asset management applications including :

- Deployed production equipment.
- Chemical drums.
- Beverage kegs.

Physical Specifications

Encasement	Durable Thermoplastic Material
Size (mm) (tolerance)	48.5 x 38.0 x 9.5 (+/- 1.0)
Size (in) (tolerance)	1.91 x 1.50 x 0.37 (+/-0.04)
Weight (g)	11.2



Dimensions stated in mm

RF Specifications

Protocol	EPC Class 1 Gen2
Frequency Range (MHz)	902-928 (US) 865-868 (EU)
Read Range(Fixed reader)	Up to 6.0m (US) Up to 5.0m (EU)
Read Range (Handheld reader)	Up to 3.0m (US) Up to 2.5m (EU)
Material Compatibility	Optimized for Metal
IC Type (chip)	Alien H3
Memory ²	EPC - 96bits User - 512bits TID - 64bits

1. Quoted performance achieved using standard testing methodology. Read range will vary with reader hardware and output power.

2. EPC and User memory are reprogrammable, TID is locked at point of manufacture.

Radiation Patterns

Large Metal

Sheet

